



Accessories for gates and doors



**Accessories Catalogue 2023**

2023



## The Professional Choice

- for gate automation, barriers, intercoms and accessories

For the last 30 years we have been designing & manufacturing cutting-edge residential and industrial automation systems.

DEA System UK & IRE form 2 of the 13 DEA branches worldwide. These 2 branches combined offer more than 20,000 sqft. of warehousing space, multiple sales teams, multiple technical support teams and multiple training facilities. All of these were put in place to support and service our vast customer base throughout the United Kingdom and Ireland.

The extensive range of products we manufacture includes automation systems for – sliding gates, swing gates, cantilever gates, barriers, intercoms and accessories.

In addition we also offer a wide range of third-party installation accessories that compliment our automation products. This catalogue features a small selection of the accessories that we distribute and have access to.

If you can't find the accessory you are looking for in this catalogue please contact us so we can help meet your requirements.

[www.deasystem.net](http://www.deasystem.net)

## All the **support** you need

We are always available when you need advice or assistance and we do so in a timely, efficient and welcoming manner.

Feel free to contact us with any quotation requests, orders or questions you would like us to answer, including how we can assist you on your next installation.

Additionally we have dedicated technical support teams in both of our branches who are constantly at hand to help you if you have any questions or encounter any issues regarding these third-party products or our own.

## All the **training** you need

You can learn more about the finer specifications of our products, such as how to recommend them to your customers or how to install them effectively for optimum performance.

- ✓ Training for engineers and technical experts
- ✓ Training for your sales team
- ✓ Training events at our branches or your sales outlet

Our team can arrange training sessions at any time, either in person or virtually.

# CONTENTS

---

## INTERCOMMS

05 - 14



---

## AUTOMATIC DOORS

15 - 16



---

## SAFETY EDGES + ACCESSORIES

17 - 20



---

## LOCKS + CLOSERS

21 - 26



## GATE HARDWARE

29 - 36



---

## REMOTES + KEYPADS

39 - 40



---

## USEFUL ANCILLARIES

41 - 48



---

## GROUND LOOPS

51 - 53



---

## COMPOSITE BOARDS

54

---

2023

Commtel Ltd T/A Telguard is a British manufacturer and distributor of mobile and landline based intercom systems. Their intercom systems are suitable for any powered gate, door or barrier requiring access control. The product range can be used in any environment internally or externally - including domestic, commercial and public.

As well as the core lines shown, we distribute and have access to the entire range of Telguard products. If you can't see what you are looking for here, please contact us so we can help fulfil your requirement.



## OPTIMUS E100K 4G LTE

Capable of providing from 1 up to 100 users. The perfect choice for blocks of flats, apartments, industrial estates, office blocks and much more!

Installer friendly with minimal cabling. Designed to work out of the box with automated gates, doors and barriers.

A high-quality product that provides a feature-rich and cost-effective 4G LTE Intercom.

## HY-CAN

The Hy-Can Solo + has the ability to ring up to 8 different telephone numbers in sequence and store up to 400 unique entry codes.

Available in both 4G LTE and Landline and also available with a backlit vandal resistant keypad and a backlit call button. This really makes the panel look individual, especially when the panel is powder coated in a specific colour... or supplied in brass, bronze or chrome!





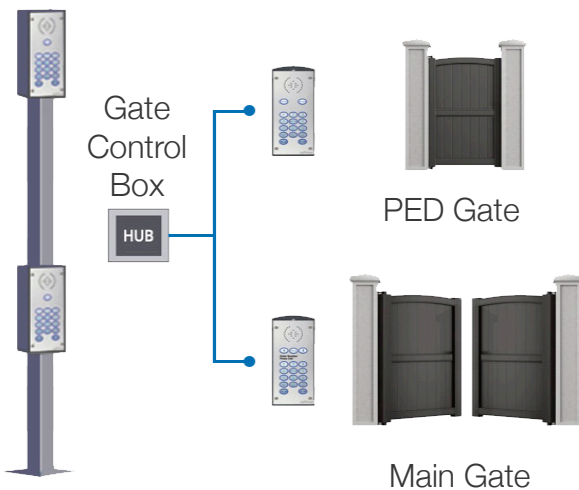
## OPTIMUS E1K 4G LTE

The industry leading 4G LTE intercom.

The single call button can ring through to 3 cascading numbers. Once answered, access can be granted simply by pressing the # key on your phone.

Installer friendly as it is designed to work out of the box with automated gates, doors and barriers.

Also perfectly designed for High/Low barriers and in/out gates



Optimus kit consists of 1 x 4G LTE hub and 2 x satellite panels.

Mix and match Optimus panels to suit the site location and level of use.

Satellites will mirror programming (subject to the chosen panel functionality within the range).

## 4G LTE GATE CONTROL UNIT

4G Switch that is protected from the 2G network phase-out. Capable of up to 900 authorised dial to open numbers and 9 programmable time profiles.

Simply programmed via SMS or an App. The same app that you would use to program Optimus intercoms.





Videx are a market leader in intercom systems providing a cutting edge range of hard-wired video and audio entry systems as well as IP and GSM solutions.

As well as the core lines shown, we distribute and have access to the entire range of Videx products. If you can't see what you are looking for here, please contact us so we can help fulfil your requirement.

## 4K-1S/CL

Videx 4K-1S/CL 4000 Series Audio Intercom with Codelock 1 button kit.

Features 3 codes, 3-relays, keypad and 2 push to exit button inputs.



## GSM4KCR-1S/4G

1 Way 4000 Series Surface 4G LTE Audio Kit with Codelock.





## 701-T

Digital time clock complete with automatic BST/GMT correction, six fully programmable on/off times, trade button input and 3A relay output. Powered from either 12V AC or DC. Available in 12V or 24V.

## 8901/S

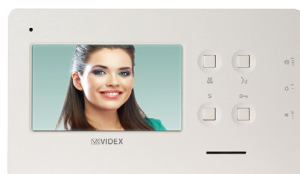
A 8000 series standalone keypad with three codes and three relays for door entry.



## VIDEX HARDWIRED VIDEO SYSTEMS



Both of the 4000 and 8000 Series video kits now offer an extended range of functions which include, intercommunication facility, timed privacy with an LED indication, door monitoring, visual and audio indications to confirm system operation, inputs for “push to exit”, options for multiple entrances.



# Akuvox

Open A Smart World

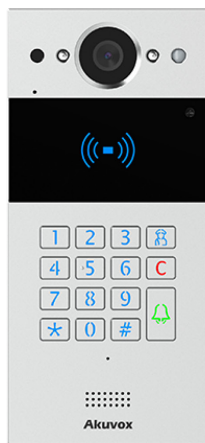
Akuvox is a pioneer of smart intercoms. Encompassing artificial intelligence, SIP, Android, security and cloud. Leveraging cutting-edge technologies for intelligent building access and home control.

As well as the core lines shown, we distribute and have access to the entire range of Akuvox products. If you can't see what you are looking for here, please contact us so we can help fulfil your requirement.

## AKUVOX VIDEO IP SYSTEMS

We are featuring the R20KS and the E18C, 2 of Akuvox's cutting-edge callpoints, these intercoms are hard-wired IP and can be paired with the C315 indoor video monitor. The E18C callpoint also supports 4G LTE communication with an optional 4G LTE module.

R20KS - CALLPOINT



E18C - CALLPOINT

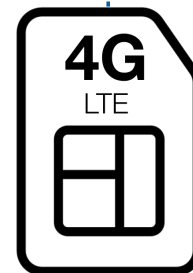


C315W - MONITOR



\*optional

\*optional 4G module



# E18C - 4G TOUCHLESS CALLPOINT

A safe and convenient 1 call point smart access control intercom for use in both commercial and residential applications.

This 7" face recognition door phone features touchless access, wireless 2 way audio and video communication, hassle-free management and more.

Featuring 7 unlocking methods: Face recognition, NFC, Mobile App, QR Code, Bluetooth, Card and PIN code.

Supporting 3 relay inputs and 2 relay outputs with the ability of storing up to 20,000 faces and 50,000 events onto a TF card.

Save installation time on old buildings with outdated wiring. All you need for installation is a power supply.



# R20KS - COMPACT SIP CALLPOINT



It's elegant design is ideal for environments with limited space. This is the ideal access control system for office buildings and apartments, capable of remote entry over the internet.

An IP65 rating protects it against rain, sleet or snow. Plus, the units intelligent temperature coping mechanisms means its able to work in a wide range of temperature from -30°C to 65°C.

Featuring 2 way audio with voice activation detection and echo cancellation. The permanently operational camera has automatic high intensity infrared LEDs for picture lighting during dark hours with an internal light sensor.

Featuring 4 door-unlocking methods to suit individual needs: PIN codes, IC/ID cards, NFC, Remote DTMF. Supports 2 inputs and 2 output relays (2A).

## C315W - INDOOR MONITOR

A powerful and compact 7" multifunctional Android indoor video intercom system with 2 way crystal clear audio communication via SIP 2.0 protocol.

This thin profile 7" ultra-clear energy saving touch screen display comes with a wide range of customisable features.

The unit is powered by PoE or 12V DC connector with use on Wi-Fi or ethernet and supports 8 channel inputs and 1 embedded relay.

Available in a silvery grey edged bevel with a black fascia or a white edged bevel and fascia.



## R29C - SIP VIDEO CALLPOINT

The world's first facial recognition Android doorphone.

No cards or keypad codes are required, your face is your identity as this unit performs an AI-powered offline facial recognition for door access. This device is also fitted with a RF card reader.

The ideal unit for apartment buildings, high-rise office buildings and building complexes.

Featuring a 7" touch screen display with 2 way audio and visual monitoring and communication.

This supports 3 input and output relays. This hard-wired IP video callpoint also supports 4G LTE communication with an optional 4G LTE module (R29C-L).



# AKUVOX SMARTPLUS APP

The SmartPlus App allows residents to see and talk to visitors, open doors and gates, monitor building entrances and issue virtual keys from their smartphones. Simplify property access management for property managers and owners by pairing this app with an Akuvox system.



## PREVIEW MODE

Instantly see who is at the entrance before answering the call



## VIDEO CALL

See and talk to visitors with live video before buzzing them in remotely



## UNLOCKING

Open doors/gates by using the "Open Door" button on the app or via Bluetooth through a phone call



## VIRTUAL KEYS

Issue time-limited QR code keys and guest PINs, and share them with guests



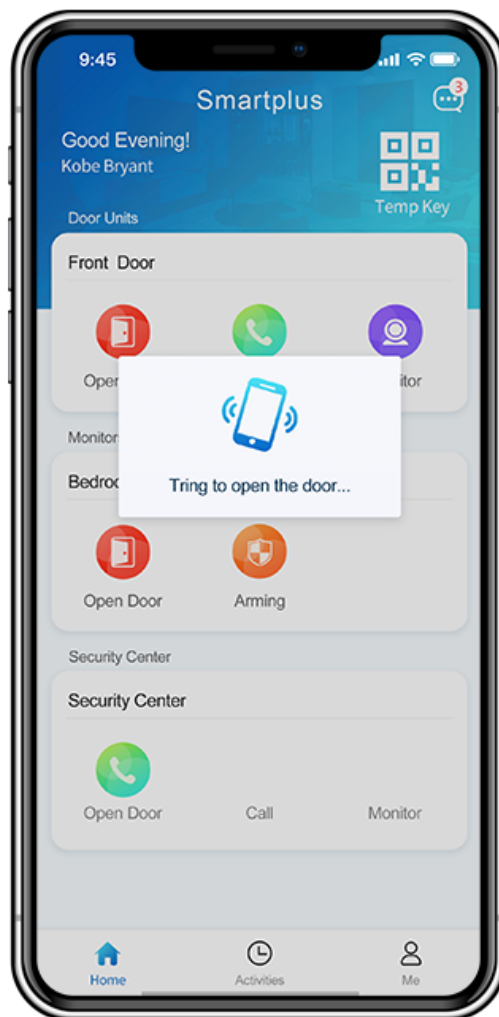
## NOTIFICATIONS

Receive instant push notifications of incoming calls on your smartphone



## RELEASE LOGS

Real-time access to date- and time-stamped photos of all your door/gate release events



SmartPlus App



Comelit Group is an industrial company specialising in the design and manufacture of video entry, video surveillance, anti-intrusion, home automation, access control and fire protection systems.

As well as the core lines shown, we distribute and have access to the entire range of Comelit products. If you can't see what you are looking for here, please contact us so we can help fulfil your requirement.



## MINI WI-FI

Security, home control and comfort thanks to this wireless door entry monitor. Allowing you to have all the functions of a classic door entry monitor on your smartphone.

Easily connects to your home router replacing your old system without any further changes required.

## ULTRA

A simple and modern modular entrance panel available with 2-wire or ViP technology.

The Ultra is capable of adapting to all requirements, from individual homes to large residential complexes.

The Touchscreen Keypad (which can be used to make calls as well as enter classic lock-release codes) and Digital Directory versions provide easy navigation.





Daitem is the European leader in wireless security systems with over 35 years of experience. Daitem designs a wide range of products to protect your family and your property all designed and manufactured in France.

As well as the core line shown, we distribute and have access to the entire range of Daitem products. If you can't see what you are looking for here, please contact us so we can help fulfil your requirement.

## WIRELESS INTERCOM

The Daitem wireless door and gate entry system to remotely open or close entrances allows you to welcome and control visitors to the home or office.

The wireless handset allows you to move freely around your home or office making life easier. Using multi frequency (OPTWIN) radio technology that has a free field range of up to 400 metres.



# H T R O N

Hotron deliver market leading Sensor Solutions to the pedestrian and industrial Automatic Door industry worldwide. Their sensors are designed to offer the highest level of pedestrian protection during automatic door movement.

As well as the core lines shown, we distribute and have access to the entire range of Hotron products. If you can't see what you are looking for here, please contact us so we can help fulfil your requirement.

## HR50/HR50-UNI



Miniature sliding & swing door activation sensor.  
Uni-directional detecting technology for reduced door hold opening times.  
Turtle mode for enhanced pedestrian safety.  
Microwave technology.

## SSS-5

Robust and easy to install automatic swing door safety sensor that is EN16005 compliant with 6 spots of detection per PCB unit.  
900mm of door face safety at an installation height of 2.2m.  
Available in 3 different lengths  
(360mm, 692mm and 1,023mm)



## CLEARWAVE & J-WAVE

Hygienic, touchless, automatic door activation switch. Detection range from 50-400 mm.  
Microwave technology (Clearwave).  
Infrared technology (J-Wave).



TOPP are a Italian manufacturer of first in class automatic door operators and accessories.

This represents a selection of the TOPP product line, we distribute and have access to the entire range. If you can't see what you are looking for here, please contact us so we can help fulfil your requirement.

## S200/M200

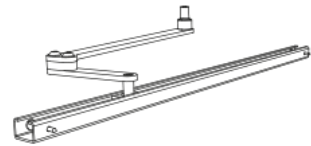
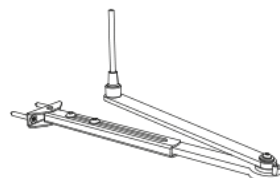
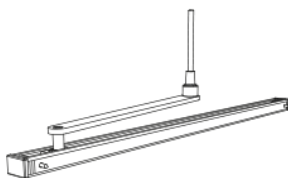
A minimalist design with an elegant aluminium cover, this is the ideal solution for prestigious environments that require pedestrian swing door automation.

The TOPP automatic door operators are for use in both residential and commercial situations such as shops, offices, hotels etc.

They may be used for doors with a maximum weight of 250kg.  
Power supply 230V~ 50 Hz.



## VARIOUS CONFIGURATIONS AVAILABLE



Push arm | Pull arm | Slide track arm

| Various size extensions | Activation sensors | Safety sensors

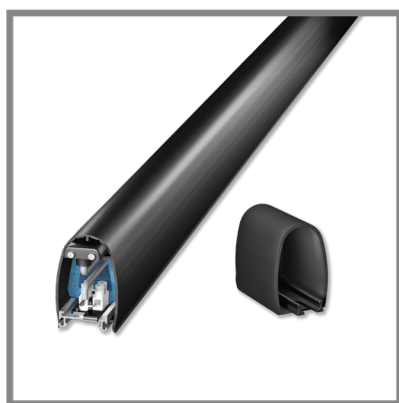
| Touch-free switches | DDA switches | Three position keyswitch

| Keep clear & push to open stickers



Resistive safety edges & additional safety accessories. For use in a variety of situations such as sliding gates, swinging gates, shutters, doors and barriers etc.

The resistive safety edge range comes pre-assembled from the factory in a variety of pre-determined lengths that can be quickly and easily cut down to the required length on site, making installation simple.



### COMPATTA CND (Wired 60mm profile)

It uses an inner TPE conductive profile on a small and discreet body, which guarantees quick response to every impact.



### MODEL MINI CND (Wired 38mm profile)

Designed to be used on swing gates and installed on the perimeter of the gate in either a vertical or a horizontal position. It features an inner TPE conductive profile that guarantees a quick response to every impact.



### PICCOLA CND (Wired 14mm profile)

Can be used on swing gates to protect the shearing point between the pillar and the gate leaf. It also can be used on industrial machinery as a safety edge for perimetral safety.



## TECNOSTOP (Wired 26mm profile)

Entirely made in co-extruded plastic, suitable to be fitted on overhead doors and swing gates. It is light and easy to install, uses IP67 microswitches and is particularly suggested for external use due to its high water resistance.

## EDGE CONTROLLER CARD AND OPTIONAL COVER

The edge controller card is a control board for hardwired resistive safety edges. With 2 inputs allowing up to 2 edges per input and 2 separated outputs.

Optional ABS enclosure for the edge controller card is available.



## WIRELESS RECEIVER & TRANSMITTER

Wireless transmitter and receiver kit in 868 MHz, for resistive or mechanical safety edges. This kit can be used to make any safety edge wireless.

The dual band system comes with selectable frequency and can take up to 14 edges (7 on each channel).



# INDUS KIT

ASO INDUS Inductive Transmission System for Sliding Gates.

Fast & easy to install transmission system for wired safety edges on sliding gates.

- CAT 3 Inductive Transmission Kit
- 24V AC/DC
- 2 x Stationary Edge Inputs
- 2 x Moving Edge Inputs



# FINGER GUARDS



Finger guards provide protection on any gate or door where there is a risk of fingers (or hands) becoming trapped between the frame and the gate/door.

Our finger guards are for use externally or internally - in residential, commercial or industrial settings such as shops, offices and other busy buildings such as schools.

This heavy duty safety strip is manufactured from extruded TPV slotted into an anodised aluminium carrier.

2.1m Long, 157mm Wide

2.1m Long, 257mm Wide

# LINEAR PHOTOCELLS

## LINEAR

Hard-wired pair of 180° adjustable photocells with the possibility of synchronized operation.

## LINEAR/B

Wireless pair of 180° adjustable photocells with heavy duty 3.6V lithium battery powered transmitter.

## LINEAR/XS

Hard-wired pair of mini photocells.



## LINEAR COVERS

Pair of vandal-proof aluminium photocells covers for LINEAR and LINEAR/B.



## PILLY

Supplied as a pair, these pre-made photocell posts are quick and easy to install.

PILLY/60 - 55cm Columns

PILLY/120 - 100cm Columns





Locinox develops and manufactures fittings for fencing, doors and gates.

As well as the core lines shown, we distribute and have access to the entire range of Locinox products. If you can't see what you are looking for here, please contact us so we can help fulfil your requirement.



## ELECTRADROP-R

This new motorised electric dropbolt comes with fail open functionality and integrated obstacle detection. Unburden the electric gate motors by securing a gate with an electric drop bolt. Providing increased security and reliability, extending the lifespan of the installed motor.

Vandal-proof anodized aluminium housing with a dropbolt of 120mm throw and a 20mm diameter. Can withstand over 1000kg of force.

Requires dedicated 24V power supply (see page 45) for the recommended PSU.

## SAMSON-2

Simple installation and flexible functionality make it the perfect fit for larger gates. Samson-2 is a polyvalent hydraulic gate closer developed with high-quality components for an exceptionally long life span.

Temperature changes do not affect the smooth and constant functionality.

The set of mounting brackets that are delivered with the closer make the Samson-2 fit for almost any gate.



## TIGER

180° self-closing hydraulic hinge with precise adjustments on speed and final snap.

The aluminium powder coated housing and unique high-tech components allow the Tiger to function perfectly in any weather situation.



## LION

The new compact technology of the Locinox Lion has aesthetic design and guarantees a secure closure over the full 180°.

This hydraulic gate closer can be mounted on any gate installation in just seconds.



## MAMMOTH

An elegantly designed self-closing hinge that opens smoothly and closes consistently gates up to 150kg regardless of the outside temperatures (patented system).

The force, closing speed and final snap are all individually adjustable according to your needs.



## PUMA



The Puma hinge is a compact surface mounted hinge with a powder coated aluminium housing. Its 180° opening angle together with its vertical and horizontal adjustability make the hinge flexible.

This hinge easily supports gates up to 1 metre wide and 60kg.

## KEYDROP

Lockable drop bolt interchangeable with the standard VSA-VSF drop bolts. This product enables you to lock the drop bolt in an open or closed position.

Throw: 140mm,  
Lockable drop bolt with cylinder,  
Possibility to work with same key as gate lock,  
Height adjustability of the drop bolt: 100mm,  
Height adjustability in 3 positions: 50mm / position.



## VERTICLOSE-2

The Verticlose-2 gate closer is extremely multifunctional and possesses excellent features, which makes it a perfect fit for both 90° and 180° hinge situations.

It has integrated pre-tension and continuous adjustability of speed and final snap.



## VALENTINO

High quality surface mounted battery powered electronic code lock with aluminium housing. Its energy efficient design makes it very easy to equip any gate with access control, with minimal need for maintenance.

The adjustable 20mm bolts allows a perfect latching/locking of the mechanism.

Easy modification of up to 100 different pincodes.



## VINCI

A high-quality mechanical code lock with aluminium housing and stainless steel mechanism. No requirement of any batteries or electricity, makes it very easy to equip any gate with access control.

The 20 mm continuous adjustability of the bolts allows a perfect latching / locking of the mechanism. A solid stainless steel deadbolt with a 23mm throw guarantees a secure locking.



## LOCK

High quality gate lock with aluminium housing and stainless steel mechanism. The 20mm continuous adjustability of the bolts allows a perfect latching / locking of the mechanism.

A solid stainless steel deadbolt with a 23mm throw guarantees a secure locking.

Standard supplied with anodized aluminium handle pair.



# THE PED GATE PACK

Secure and control access to a pedestrian gate with ease and style. This pack is comprised of everything you need for a high-quality reliable install.



## THIS CONTAINS

- | 1 x Locinox Lion Hydraulic Gate Closer
- | 1 x 250kg Maglock with Power Supply
- | 1 x Digipro keypad
- | 1 x Push to Exit Button

Locinox Lion closer (see page 22), DEA Digipro keypad (see page 39), DEA Maglock (see next page), 12V DC 2A power supply and 24V DC Din mount (see page 45) and Push to Exit button (see page 43).

# EXTERNAL MAGLOCK

250kg Maglock - generally advised for use with pedestrian gates.  
Side cable entry.



500kg Maglock - generally advised for use with electric gate installations.  
Bottom cable entry.



## Z & L BRACKETS

Z Bracket for 250kg Maglocks.

Z & L Bracket for 500kg Maglocks.

---

# CISA LOCK

The CISA “Elettrika” electric lock is the ideal solution for managing the opening and closing of steel and wooden gates and entrance doors (apartment buildings), while still guaranteeing high resistance to forced entry.

Guaranteed by the (patented) rotary hook deadbolt which provides resistance to a tensile strength of up to 2000 kg (the standard covers a maximum of 1000kg).

The protective steel casing makes it difficult to access the internal lock parts when the door/gate is closed.

This electric lock is also fail-secure meaning that in the event that the power drops, the lock is applied.



# Remote management

NETCOM is a multi-faceted tool that adapts to different kinds of usage.



**Set scheduled maintenance operations**  
(Feature: "Maintenance calendar")



**Define when a user can enter or exit**  
(Feature: "Time slots")



**Set an automatic opening/closing of the gate**  
even with operators of other brands.  
(Feature: "Timer" for automatic actions)



**Choose your holidays:** decide when automatic actions can be deactivated  
(Feature: "Automatic actions calendar")

NETCOM is to be used with DEACloud: the website that allows you to manage all your devices with NETLINK technology.

<https://cloud.deasystem.com>



Watch the video!

access

NETC

DE  
CLO

time slots and calendar

SS tools

COM

EA  
UD

installations management



#### Remotes

Manage  
Add  
Edit  
Delete



#### DEUser app

Enable and disable users  
Edit passwords



#### GSM call

Enable and disable users  
Activate one or more devices on the sites with one call



#### Program NETLINK devices

DE@NET control boards  
DEUser app receivers



**Check for any fault on the site**  
and act promptly in case of fault



**Check who went in or out**  
(Feature: "Event Log")



**Check if any safety device has been activated**  
(Feature: "Event Log")



**Check the authorisations of the users**  
Decide who can open the gate and which automations the user can control

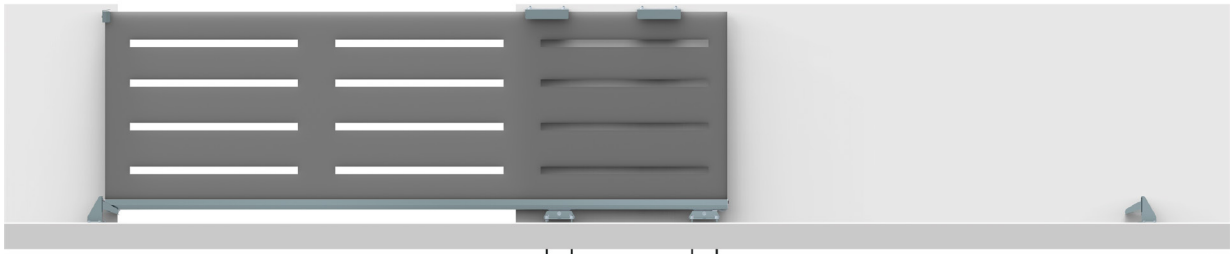


The market leader in hardware for residential and industrial gates and doors.

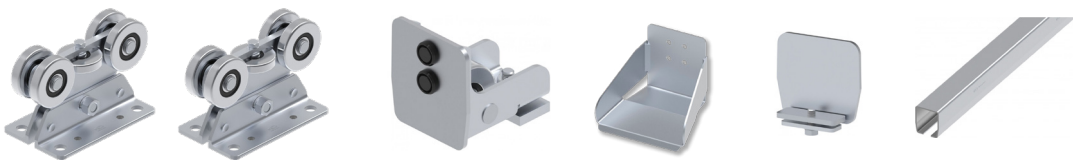
As well as the core lines shown, we stock and distribute the entire range of FAC products. If you can't see what you are looking for here, please contact us so we can help fulfil your requirement.

## CANTILEVER KITS

The perfect solution where you don't need a track system (i.e. without guides and wheels on the ground) and want a suspended structure.



All of the kits come complete with rollers, wheels and rail



**800** - Light Duty System (Up to 5m in length and 300kg in weight)

**900** - Light/Medium Duty System (Up to 7m in length and 450kg in weight)

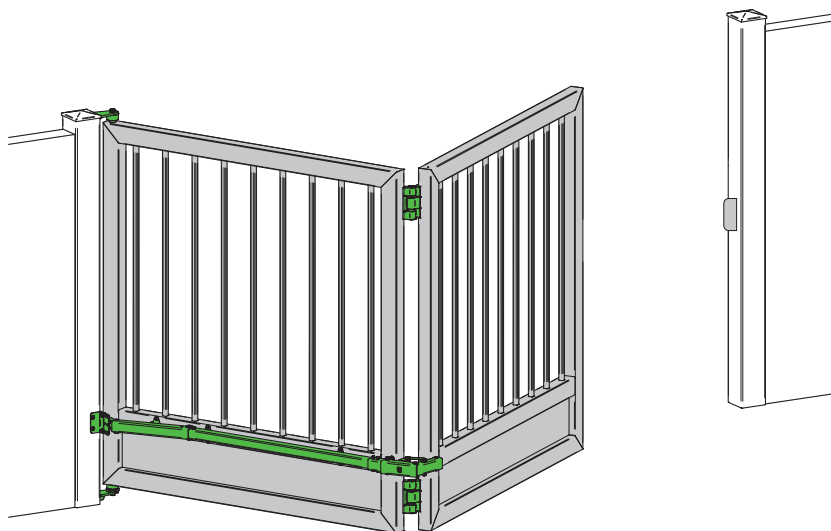
**1000** - Medium Duty System (Up to 10m in length and 800kg in weight)

**2000** - Heavy Duty System (Up to 18m in length and 1200kg in weight)

**2000H** - Extra Heavy Duty System (Up to 18m in length and 2100kg in weight)

# BI-FOLDING KITS

The perfect solution for pedestrian gates or multi-leaf openings. The bi-folding gate is especially recommended when there is no space for lateral movement.



## STANDARD

For openings up to 5m wide.

Complete with column and leaf joint, double flag hinges, pivot hinges, guide profile and protective cover.

## HEAVY DUTY

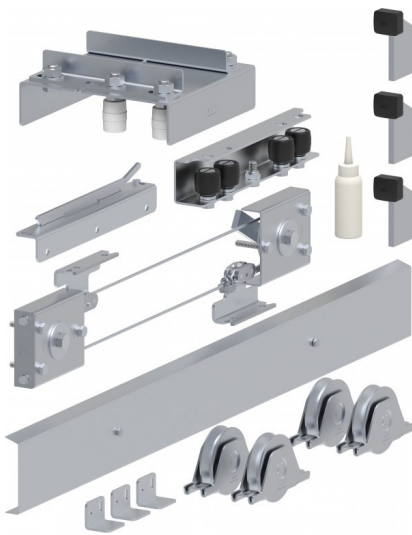
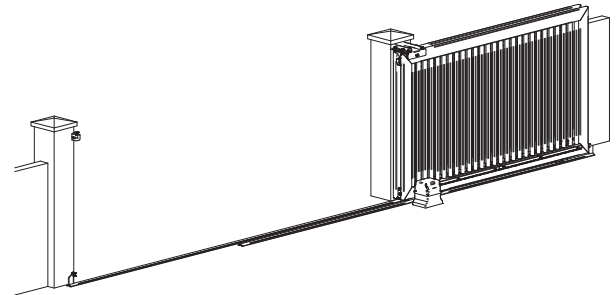
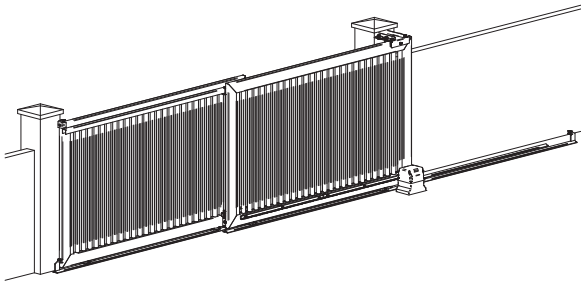
For openings up to 8m wide.

Complete with column and leaf joint, double flag hinges, pivot hinges, guide profile and protective cover.



# TELESCOPIC KITS

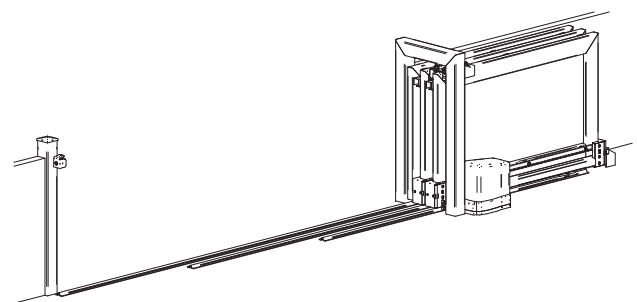
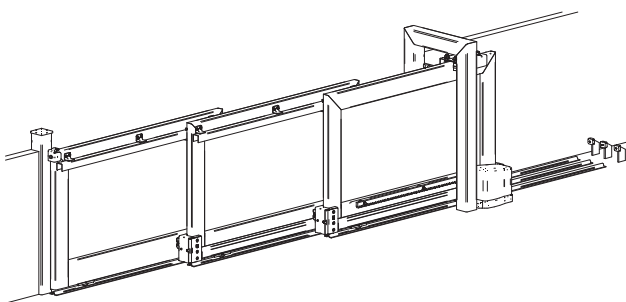
The ideal kit for side sliding gates comprised of one or more leaves. Optimize the surrounding space where it is not possible to install a classic sliding gate.



## TWO LEAF

Two leaf system for openings up to 15m wide.

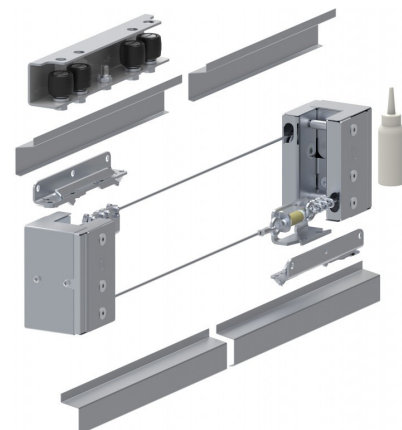
Complete with transmission set rollers, roller guides, grooved wheels, limit stop and guide plate.



## THREE LEAF

Multi-leaf system for openings up to 12m wide.

Complete with transmission set rollers, roller guides, grooved wheels, limit stop and guide plate.





## NYLON TOOTH RACK



Nylon tooth rack with fixing screws.  
Comes in bundle of 10 x 1m lengths.

## GALVANISED TOOTH RACK 22x22



Galvanised steel tooth rack 22x22mm, straight weld on.  
Comes in single 1m lengths.

## GALVANISED TOOTH RACK 30x12



Galvanised steel tooth rack 30x12mm,  
with zinc-plated spacers and fixing screws.  
Comes in packs of 4 x 1m lengths.

## GROUND TRACK

Range of sliding gate rails for both surface fix or concreting into position.



## WHEELS

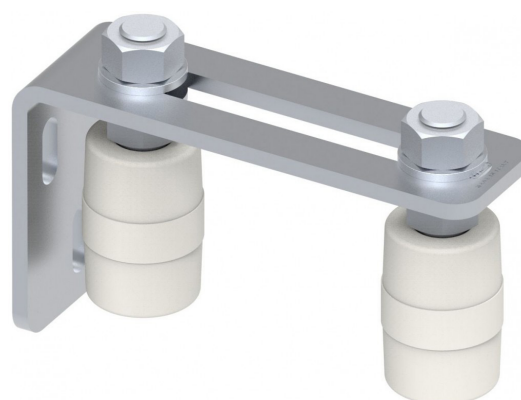
Expansive range of sliding gate wheels with sizes to suit all applications as well as multiple fixing options.

These products also come equipped with various types of internal support brackets, including U and V-Shaped grooves alongside 1/2 round grooves.

## UPPER GUIDE SUPPORT

Adjustable upper guide support plate with 2 rollers and single slot.

We have a comprehensive range of guide plates which are suitable for all gate shapes and sizes.



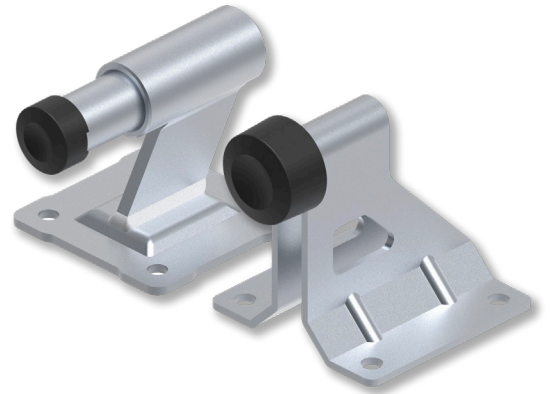


## ROLLERS

We sell a host of sliding gate guides and nylon rollers in variable sizes and finishes to suit all gates.

## SLIDING GATE LIMIT STOPS

Extensive range of high-quality galvanized limit stops for sliding gates with various fixing options.



## SWING GATE CENTRE STOPS

These variably sized limit stops are designed for use with both manual and automated gates, each product is galvanized for greater longevity.

We have a range of size and fixings to meet all gate requirements.

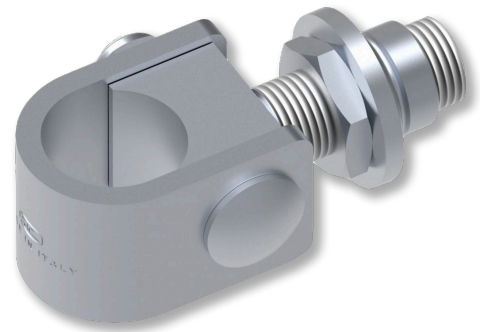
# WRAP AROUND HINGES

A wrap around hinge is a multi-joint hinge that allows the smooth transition from open to closed for all doors and gates.

Below is a selection of our most popular wrap around hinges. We stock a wide range of gate hinges which are suitable for all door and gate shapes and sizes.

## VC1304

Adjustable wrap-around hinge to weld.



## VC1312

Wrap-around hinge with deep-drawn 2 holes plate to fix.

## VC1308

Wrap-around hinge with 4 holes and deep-drawn plate to fix.



# PIVOT HINGES

Pivot hinges are mounted on the top and bottom of the door or gate instead of on the side and it rotates on a vertical axis.

Below is a selection of our most popular pivot hinges. We stock a wide range of gate hinges which are suitable for all door and gate shapes and sizes.



## VC4202

Bottom pivot hinge with tapered roller bearing to weld.

## VC4212

Bottom pivot hinge with tapered roller bearing and holes bracket to fix.



## VC4101

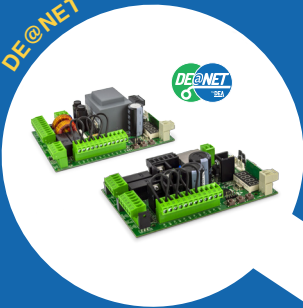
Top mounted adjustable pivot hinge with ball bearing to weld.

These items are an example of what FAC do, we can obtain any FAC product you require

# NETLINK

is our technology applied to DEA devices for the smart management of your installations, both **locally** and **remotely**.

DE@NET



One control board for all our motors, available in 230V and 24V versions.

NET-COM



The device for managing installations remotely.

NET-NODE 2.0



The device for managing installations locally.

NET-BOX



The device for managing remotes from your office.

DEA User & DEA Installer



**DEAinstaller:**  
the App for creating and managing each installation directly from your smartphone.



**DEAuser:**  
the App for opening and closing your DEA gate with just one touch, locally.





## DEAinstaller

DEAinstaller is the App dedicated to the professional installer which allows you to program automations in a simple and intuitive way from your smartphone.



..... **P001**

..... **P015**

..... **P022**

..... **P047**

If you use it with NET-NODE you can:

- keep a data backup of all your installations
- easily adjust the parameters of the control boards
- update the firmware
- program the maintenance
- manage or customise the remotes
- read technical manuals
- have a look at the electrical connections
- control the inputs and outputs of the control boards
- control the automation with the app



## DEAuser

DEAuser is the app for the private user which allows you to control the DEA automation in close proximity.

By installing NET-NODE on all devices with NETLINK technology, you can control your gate through your smartphone.





## DIGISLIM & DIGIPRO

2 relay keypad with cable and proximity reader, resin backed for additional durability.

Complete with 1000 memory slots that will accept either prox card/tags or individual access codes.

## DIGIRAD

Easy to set-up 2 channel vandal resistant wireless keypad of metal construction.

Compatible with DEA control panels and 281/2 standalone receiver.

Accepts up to 2 individual access codes.



## HIGH GAIN ANTENNA

High gain antenna for receivers & control panels.  
Tuned antenna 433MHz.





## RECEIVER KIT

Hardwired 2 channel receiver with 5 GTI2 transmitters.

Ideal for adding remotes to garage doors and other automation control systems.



## GTI REMOTES

GTI2 & GTI4 - White 2 or 4 channel rolling code remote control, 433MHz.

GTI2M & GTI4M - White 2 or 4 channel with rolling code or clonable function 433MHz.

GTI2N & GTI4N - Black 2 or 4 channel rolling code remote control, 433MHz.

## 281/2 RECEIVER

Hardwired 2 channel stand-alone receiver 433MHz with capacity to store 1000 remotes.  
Power 24V AC/DC.

Ideal for adding extra devices to your DEA system. Such as garage doors, existing gates and other automation systems.



## GSM SWITCH

Using GSM technology, this module wires directly in to your gates control board.

You need to install a SIM card then set up the system simply using SMS messaging from your phone. Once fully set up all you need to do is phone your gates to open them.



## CONTRACTORS PACK

20mm flexible conduit.

Strong & durable for use externally.  
Complete with glands.

## LATCHING KEYSWITCH

Keyswitch fitted in a stainless steel plate and built into a shrouded, high-impact plastic back box with security screws.

Suitable for surface or flush mounting with the provided screw footprints.



## 2 WAY OUTDOOR SWITCH

A robust and high impact single 2-way outdoor switch.

Weather and dust proof IP66 rating.

Ideal for garden, workshop & commercial applications.



## WIRELESS DDA PUSH PAD

A wireless push pad that can be used with our standalone receiver (281/2)

## EMERGENCY STOP BUTTON

Comes with 1 x N/C contact fitted, can also be fitted with N/O Contact. Double Insulated, IP65 Rated.





## GREEN DOME PUSH TO EXIT BUTTON

IP66 rated surface mount green dome push to exit button.

---

## STAINLESS PUSH TO EXIT BUTTON

Surface mount brushed stainless steel  
Press-to-Exit with 19mm Stainless Steel button.



---

## BLANK STAINLESS PUSH TO EXIT BUTTON

This heavy duty device exit device with a easy to clean surface is suitable for busy entrances. The push to exit button comes with a blank surface.





## ISOLATOR

IP65 rated surface mounted enclosed rotary isolator. Advised for electric gate installs in order to isolate the gate system from the main electricity supply.

---

## BRES BOX

Larger ABS enclosures for accommodation of control equipment for installations. IP68 rated.

Available in 2 sizes:

400mm x 400mm

400mm x 600mm



## WISKA BOX

Wiska Box - IP66, 32 Amp,  
85 x 85 x 51mm, in Black .

## BELL TS2000 TIMER

Bell Systems (BSTL) 7 day time clock with auto DST settings.



## POWER SUPPLIES

12V DC 2A power supply.

24V DC Din mount.

This power supply is tested and approved for use with the Locinox electradowp (see page XX).

## DOOR LOOP

High-quality Locinox neat and professional solution to take your cables between your gate and post.

Available with 450mm or 650mm braided cable.



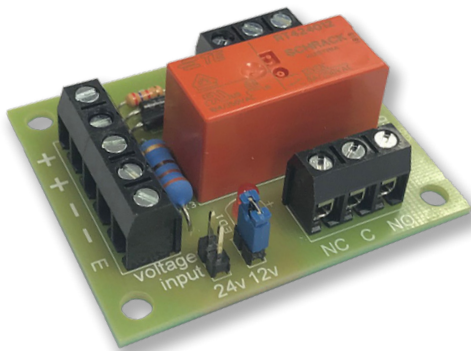
## 24v AC/DC

Based on the handy little relay schematic, this unit can accept either a 24V AC or DC input, making it very versatile. This relay is easy to use, with two sets of volt-free (dry) contacts that can switch up to 8A @ 240VAC or 30VDC. Great for switching lights, electric locks, pumps and other control circuits.



## 12-24v DC

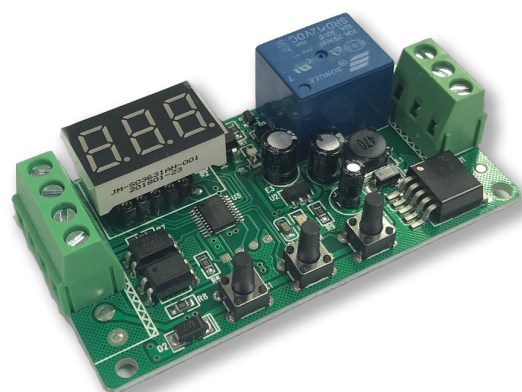
Based on the handy little relay schematic, this unit can accept either a 12V or 24V DC input making it especially compatible with most alarm systems. This relay has two sets of volt-free (dry) contacts that can switch up to 8A @ 240VAC or 30VDC. Great for switching lights, electric locks, pumps and other control circuits.



## 12-24v TIMER/DELAY RELAY

The timer/delay relay is equipped with an LCD display and is configurable from 0.1 seconds to 999 minutes. It has a set of volt-free (dry) contacts that can switch up to 5A @ 240VAC or 10A @ 24VDC. Great for use in situations where timing is critical such as electric drop bolts or courtesy lights or for switching other types of control systems at specific intervals.

The relay can be triggered with both positive and negative triggers and can run in a variety of modes including an automatic trigger-less function.



# 24V GATE OPERATOR SOLAR KIT

These waterproof, affordable, high-efficiency, monocrystalline solar panels are perfect for permanent outdoor use to provide free electricity to charge a battery to power hundreds of devices and electrical appliances.

The long-lasting monocrystalline solar cells and the tough, sealed, aluminium frame will provide years and years of consistent, free power. The waterproof design ensures that the panels can be used in all weather conditions.

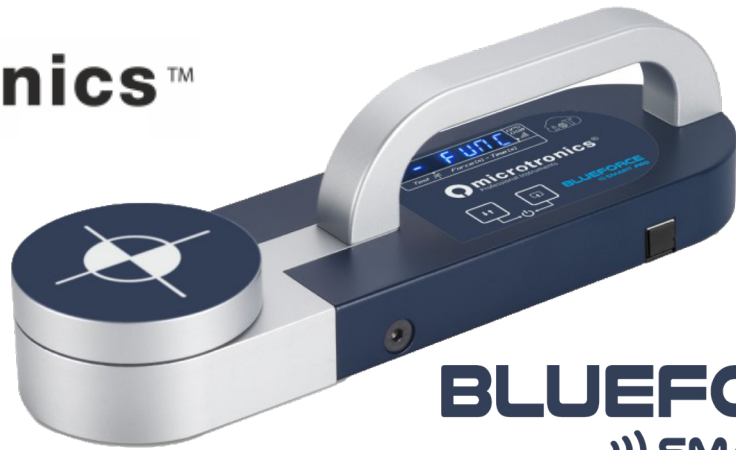
The panels are fitted with 5m of special solar cable which can work at high temperatures, with minimum power losses.

The solar charge controller uses the most advanced Maximum Power Point Tracking (MPPT) technology to track the maximum power voltage point of solar panels as it varies depending on sunlight exposure and temperature. This technology ensures the maximum efficiency of the solar system and significantly outperforms standard PWM solar controllers.

This system has been put together and specified specifically for use with 24V gate operator systems to be used where there is no available power and a solar solution is required.







## **BLUEFORCE** **))) SMART PRO**

This force measuring instrument was created to help installers measure the impact/crushing forces of automatic motorised gates and doors and test the safety systems installed.

The BlueForce Smart Pro can measure force between 0 and 2000N to a resolution of 1N, allowing you to CE certify the installation of your automatic gates and doors according to the current Standards: EN12453, EN16005, EN60335-2-95.

This version is the evolution of both of the previous instruments, the BlueForce and SpeedForce testers. Complete with Bluetooth and NFC technology allowing you to quickly send and store data.

This instrument can store measurement data, physical orientation of the instrument (horizontal/vertical) and the GPS location to the Cloud portal and to any device connected to the internet without compatibility issues (such as PCs, smartphones, tablets etc.).

The BlueForce Smart Pro comes with a USB cable, hex wrench all in its own carry case with preformed interior.



[We also provide a force-tester calibration service, please contact us for further details](#)



# STOP N

Electromechanical barrier  
up to 8m of boom length



The DE@NET universal control board makes this operator **compatible with NETLINK System.**



Compatible with **NETCOM**, the device for the installations maintenance and remotes management, **from your office!**



Compatible with **DEAuser** and **DEAinstaller**, the smartphone Apps to manage installations **locally.**



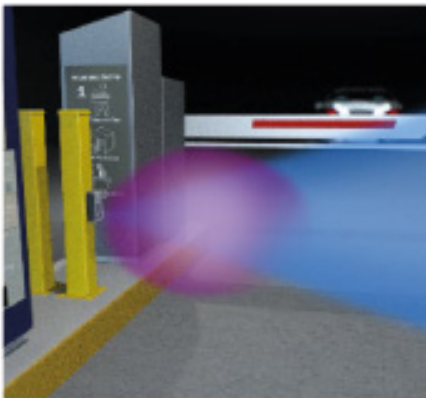
Compatible with **NETBOX**, the device **for managing remotes** from your office.





## OVS - 01GT

This vehicle sensor from OPTEx is designed to reliably detect the presence of small and large vehicles, both stationary or moving, whilst ignoring most human traffic.



### QUICK AND EASY INSTALLATION

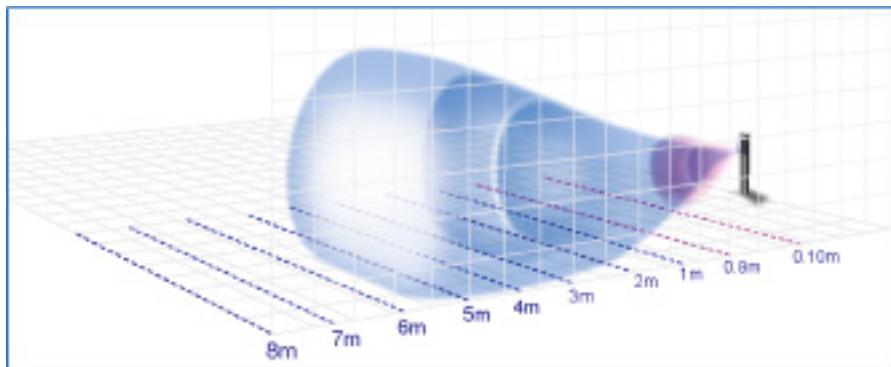
This vehicle sensor is to be mounted 500mm from the ground and can easily be mounted on a pole or on a wall; no additional loop detector is required.

### LEADING EDGE TECHNOLOGY WITH HUMAN CANCELLING

The OVS-01G will integrate with state-of-the-art parking systems. Including a programming menu with 5 sensitivity settings and human cancelling selections, all with one-button calibration.

### ADJUSTABLE DETECTION PATTERNS

The OVS-01GT features an ultrasonic sensor for close-range detection (purple) and an adjustable microwave detection pattern (blue) from 0.8m to 5.5m.



Power Supply: 12-24VDC

Current Consumption: Max 200mA (at 24VDC)

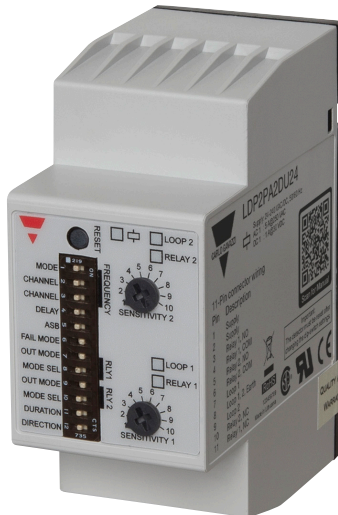
# TRAFFIC LIGHT

LED traffic light: red-green lights.  
Available in 24V & 230V.

Suitable for use with bollards, barriers and any other installation to control traffic flow.



# CARLO GAVAZZI LOOP DETECTOR



Fail secure and fail safe. Adjustable sensitivity, automatic frequency tuning, automatic sensitivity boost, independently configurable outputs, Directional logic & Multicolour LED for easy diagnostic.

Wide power supply range 24-240 VAC/VDC.

# DIABLO DYNAMITE STICK

Pulse only exit device that replicates a ground loop in a much more compact and easy solution. The dynamite probe is the equivalent to a 1.5m circle but with a simple to install probe.

Complete with pre-wired 22m direct burial cable attached.



# NORTECH LOOP DETECTORS



Our no. 1 selling ground loop solution.

Nortech single channel loop detector  
230V or 24V.

Nortech two channel loop detector  
230V or 24V.

---

## PRE-MADE LOOP

Ready-to-use, pre-assembled, underground vehicle loop in self-extinguishing PVC sheath.

Available 6m perimeter lengths.



---

## LOOP CABLE

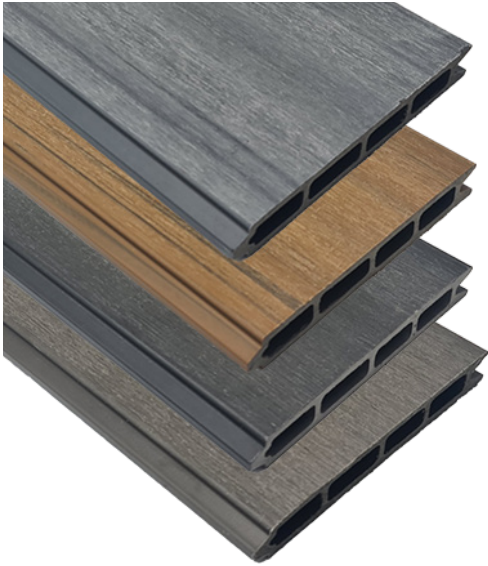
High-quality loop cable for use with loop detectors.

100m & 500m drums available.



# COMPOSITE BOARDS

A long lasting and low maintenance alternative material for both residential and commercial gates.



- Easy to install
- Minimal maintenance
- Strong, durable and long-lasting
- Look and feel like ordinary wood
- Will not warp, rot or splinter
- No treating or painting required

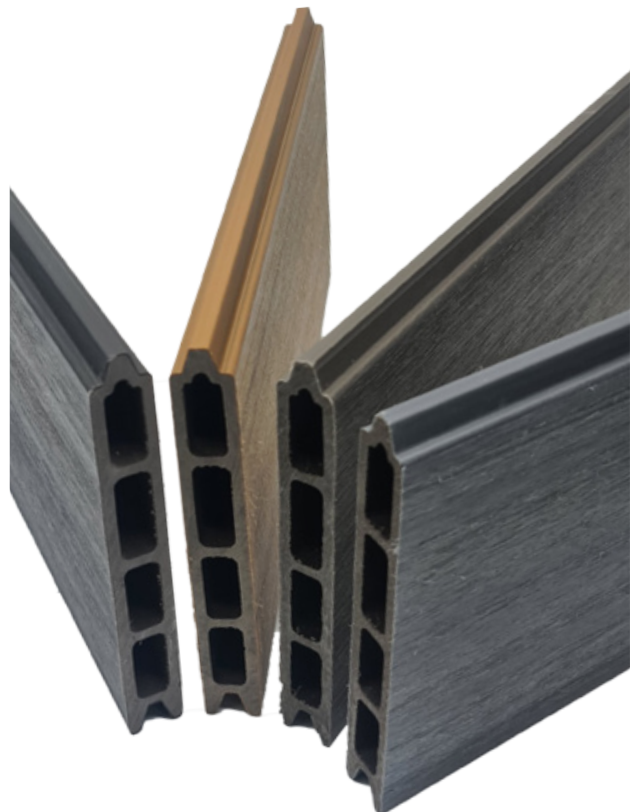
Composite gate boards deliver a number of advantages over traditional materials, making them the preferred choice for gate fabricators, architects and specifiers looking for a future-proof solution.

From beginners to experts, these board makes your gates easier than ever to build. With a simple lock-in system of boards that slide easily into aluminium framework, gates are built both efficiently and securely.

All boards come in packs of 3 with 1 Aluminium weather bar for maximum strength when installed.

Available in 1.8m Lengths.  
Tongue and Groove Fitment  
Board Profile: 159mm x 20mm  
Coverage: 149mm

Moonstone Grey  
Teak  
Graphite Grey  
Slate Grey





move as you like



**DEA System UK & IRE**

Sandholes Road - Cookstown  
Co.Tyrone - BT80 9AR

☎ + 44 (0)28 8676 6476  
✉ info@deasystem.net

**DEA System UK & IRE**

Unit 29 - 31, The IO Centre, Hearle Way  
Hatfield, Hertfordshire, AL10 9EW

☎ + 44 (0)1707 246599  
✉ contact@deasystem.net

deasystem.net