

# DEA<sup>®</sup>



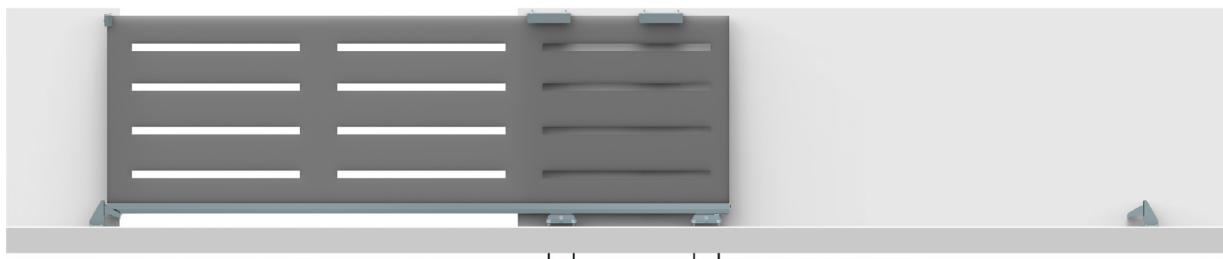
## GATE HARDWARE

FAC are the market leader in hardware for residential and industrial gates and doors.

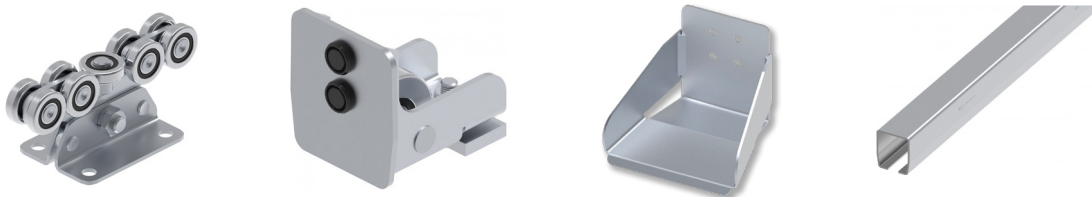
As well as the core lines shown, we stock and distribute the entire range of FAC products. If you can't see what you are looking for here, please contact us so we can help fulfil your requirement.

# CANTILEVER KITS

The perfect solution where you don't need a track system (i.e. without guides and wheels on the ground) and want a suspended structure.



All cantilever kits come complete with trolleys, guide rollers, end stops and rail.



**800** - Light Duty System (Up to 5 m in length and 300 kg in weight)

**900** - Light/Medium Duty System (Up to 7 m in length and 450 kg in weight)

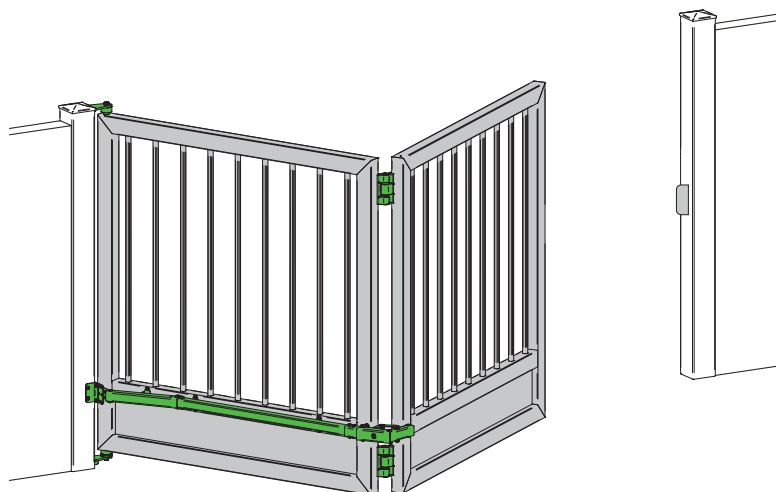
**1000** - Medium Duty System (Up to 10 m in length and 800 kg in weight)

**2000** - Heavy Duty System (Up to 14 m in length and 1200 kg in weight)

**2000H** - Extra Heavy Duty System (Up to 20 m in length and 2500 kg in weight)

# BI-FOLDING KITS

The perfect solution for pedestrian gates or multi-leaf openings. The bi-folding gate is especially recommended when there is no space for lateral movement.



## STANDARD

For openings up to 5m wide.

Complete with column and leaf joint, double flag hinges, pivot hinges, guide profile and protective cover.

## HEAVY DUTY

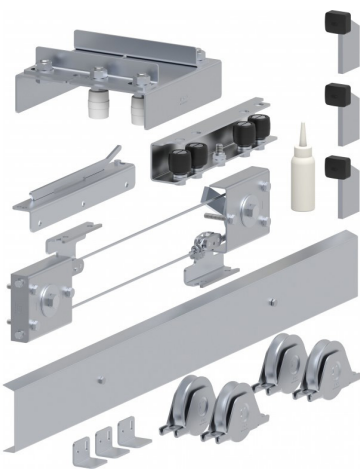
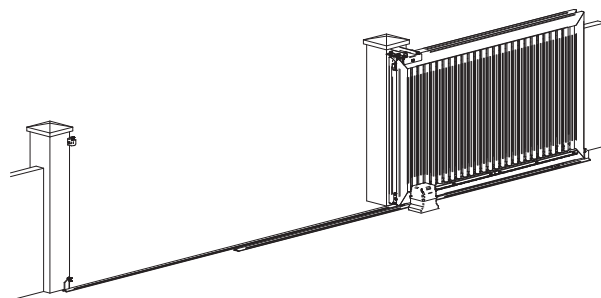
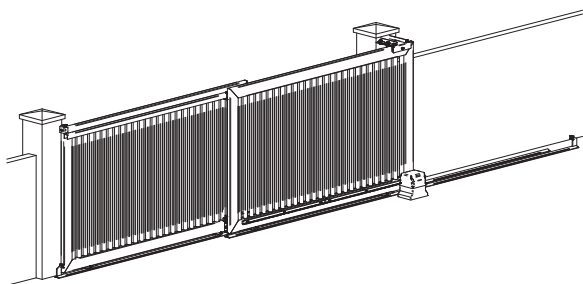
For openings up to 8m wide.

Complete with column and leaf joint, double flag hinges, pivot hinges, guide profile and protective cover.



# TELESCOPIC KITS

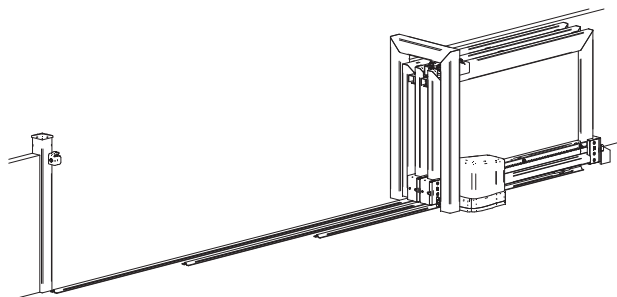
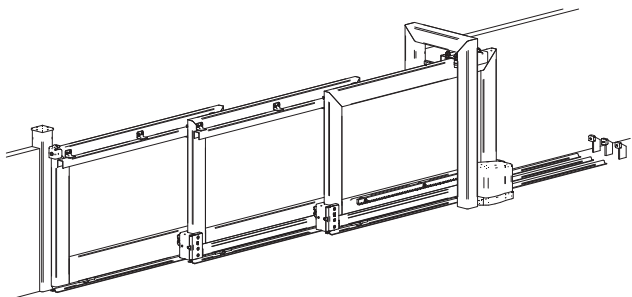
The ideal kit for side sliding gates comprised of one or more leaves. Optimize the surrounding space where it is not possible to install a classic sliding gate.



## TWO LEAF

Two leaf system for openings up to 15m wide.

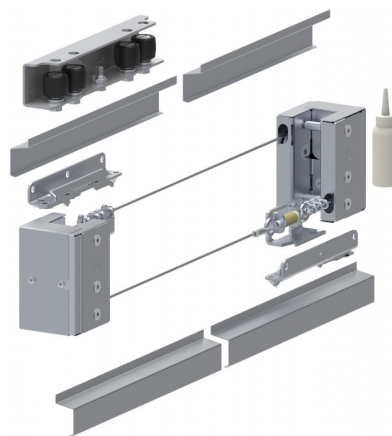
Complete with transmission set rollers, roller guides, grooved wheels, limit stop and guide plate.



## MULTI LEAF

Multi-leaf system for openings up to 12m wide.

Complete with transmission set rollers, roller guides, grooved wheels, limit stop and guide plate.

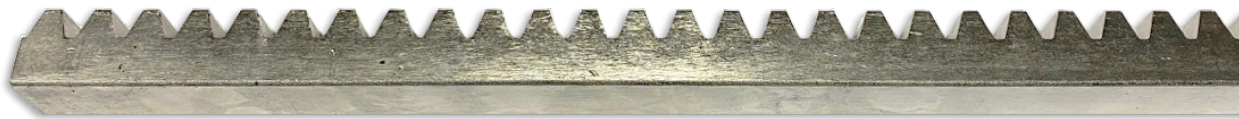


# NYLON TOOTH RACK



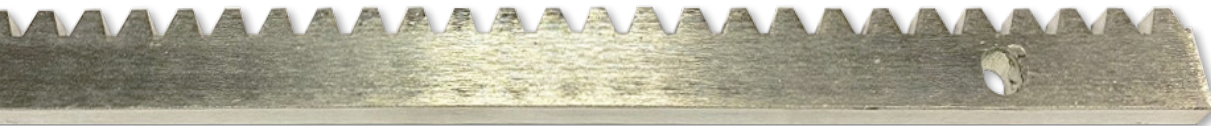
Nylon tooth rack with fixing screws.  
Comes in bundle of 10 x 1m lengths.

# GALVANISED TOOTH RACK 22x22



Galvanised steel tooth rack 22x22mm, straight weld on.  
Comes in single 1m lengths.

# GALVANISED TOOTH RACK 30x12



Galvanised steel tooth rack 30x12mm,  
with zinc-plated spacers and fixing screws.  
Comes in packs of 4 x 1m lengths.

## GROUND TRACK

Range of sliding gate rails for both surface fix or concreting into position.



## WHEELS

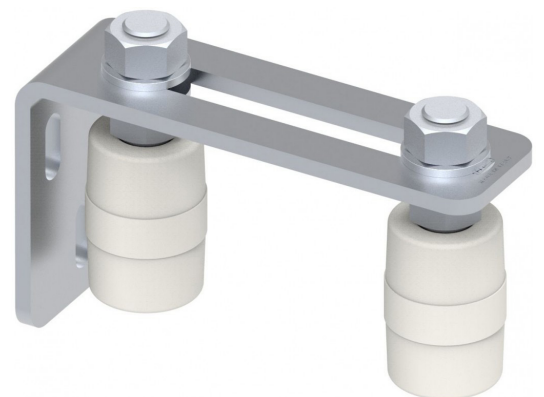
Extensive range of sliding gate wheels with sizes to suit all applications as well as multiple fixing options.

These products also come equipped with various types of internal support brackets, including U and V-Shaped grooves alongside ½ round grooves.

## UPPER GUIDE SUPPORT

Adjustable upper guide support plate with 2 rollers and single slot.

We have a comprehensive range of guide plates which are suitable for all gate shapes and sizes.



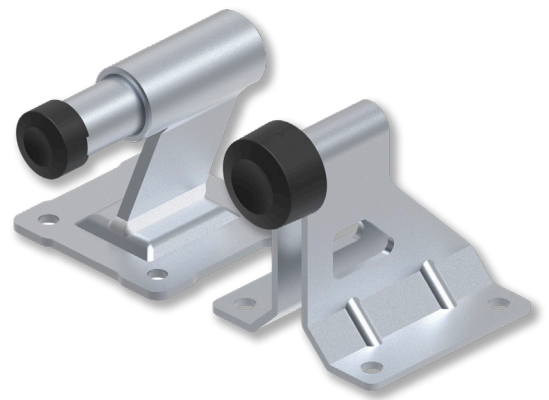


## ROLLERS

We sell a host of sliding gate guides and nylon rollers in variable sizes and finishes to suit all gates.

## SLIDING GATE LIMIT STOPS

Extensive range of high-quality galvanized limit stops for sliding gates with various fixing options.



## SWING GATE CENTRE STOPS

These variably sized limit stops are designed for use with both manual and automated gates, each product is galvanized for greater longevity.

We have a range of size and fixings to meet all gate requirements.

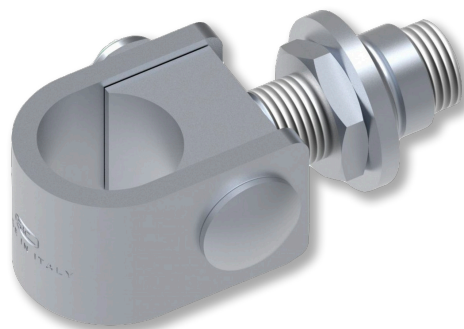
# WRAP AROUND HINGES

A wrap around hinge is a multi-joint hinge that allows the smooth transition from open to closed for all doors and gates.

Below is a selection of our most popular wrap around hinges. We stock a wide range of gate hinges which are suitable for all door and gate shapes and sizes.

## VC1304

Adjustable wrap-around hinge to weld.

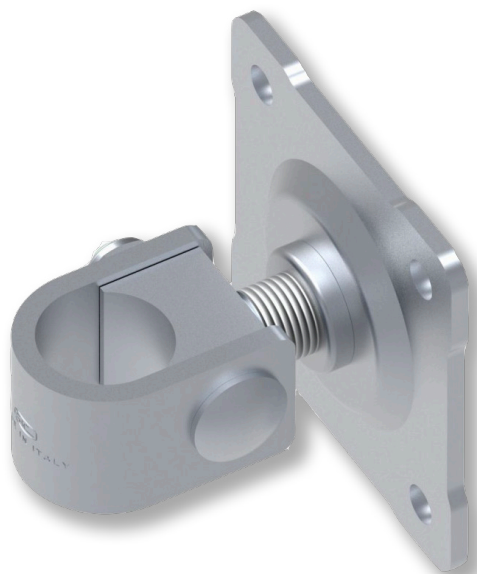


## VC1312

Wrap-around hinge with deep-drawn 2 holes plate to fix.

## VC1308

Wrap-around hinge with 4 holes and deep-drawn plate to fix.





# PIVOT HINGES

Pivot hinges are mounted on the top and bottom of the door or gate instead of on the side and it rotates on a vertical axis.

Below is a selection of our most popular pivot hinges. We stock a wide range of gate hinges which are suitable for all door and gate shapes and sizes.



## VC4202

Bottom pivot hinge with tapered roller bearing to weld.

## VC4212

Bottom pivot hinge with tapered roller bearing and holes bracket to fix.



## VC4101

Top mounted adjustable pivot hinge with ball bearing to weld.